

LCD Projector Lens
Model No. LENS-001, LENS-002
Installation Procedure

- The focus and zoom of this lens can't be adjusted by controls on main cabinet or the remote control unit.

Notes on Lens Installation

Lens installation should be performed by the qualified service personnel.
This procedure should be followed precisely.
Before attempting to install the lens, confirm the model number (both the LDC projector and the lens) and use the proper lens.
If you have any questions, contact your dealer.

Parts List

Following parts are contained in the package.

- Lens 1 piece
- Lens Mounting Screws 6 screws (2 for spare)
- Driver 1 piece
- Light-Block Sheet 1 sheet

Following checks and confirmations should be taken for safety.

Check the following issues while reassembling the cabinet after installing the lens.

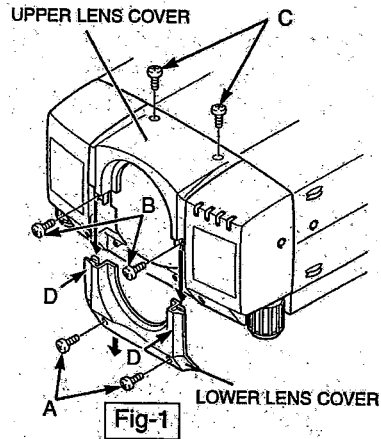
1. Confirm the lens is securely fixed by 4 screws.
2. Wiring must not be tangled in the gear of the lens motor or any other mechanical parts.
3. There are no missing parts, or loose mounting parts.

LENS INSTALLATION PROCEDURE

Perform the steps **1** to **4** for lens installation.

1 REMOVE THE LENS COVER. (See figure-1)

1. Remove screws A (2 screws).
2. Pull down the lower lens cover while pushing the part D, then remove it.
3. Remove screws B (2 screws).
4. Remove screws C (2 screws) and remove upper lens cover.



2 REMOVE THE COVER PLATE OF THE LENS COVER. (See figure-2)

Remove 2 screws and pull down the plate.

(At the step **4**, install the light-block sheet to the same position as the removed cover plate has been placed. Two screws are not used.)

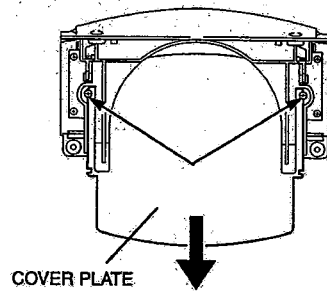
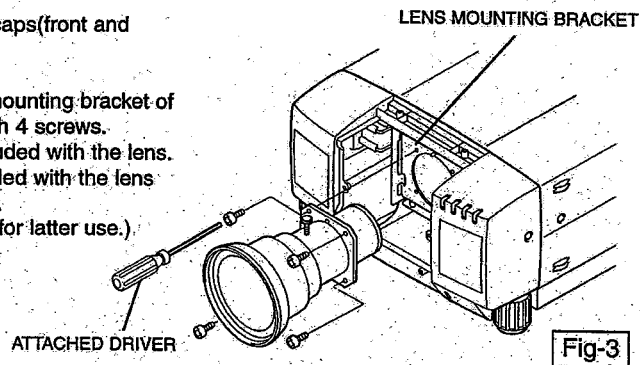


Fig-2

3 INSTALL THE LENS. (See figure-3)

1. Remove protective caps(front and back) on the lens.
2. Mount the lens on mounting bracket of the main cabinet with 4 screws. Use the screws included with the lens. Use the driver included with the lens to fasten the screws. (After using, save it for latter use.)

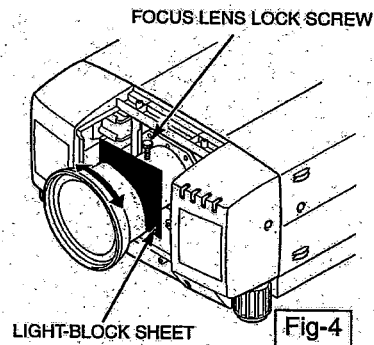


4 INSTALL THE LIGHT-BLOCK SHEET. (See figure-4)

Install the light-block sheet around the lens as shown in the illustration.

When this projector permanently install in the structure, slide the picture, obtain correct focus, then lock the lens by Focus Lens Lock screw at this step.

In case unfixing the focus lens, remove the screw.



5 MOUNT THE LENS COVER. (See figure-5)

When in install the both upper and lower lens covers, install the light-block sheet so that it should be placed in the guide slot. (the place the covers had been placed. See figure-2.). If the installation of light-block sheet is incorrect, it will be the cause of leakage of light or the dust entering at the main cabinet.

1. Insert the upper part lens cover and fix them with screws A (4 screws).
2. Insert the lower part lens cover and fix them with screws B. (2 screws).

